



Spare parts for:
Coffee grinders



Suitable for:

ARISTARCO



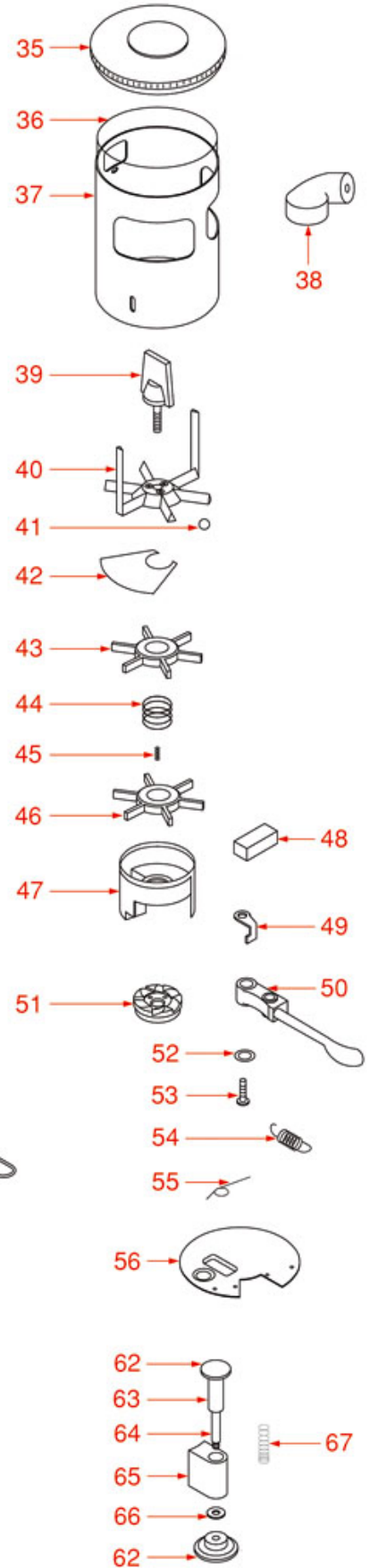
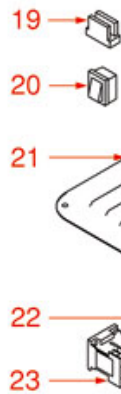
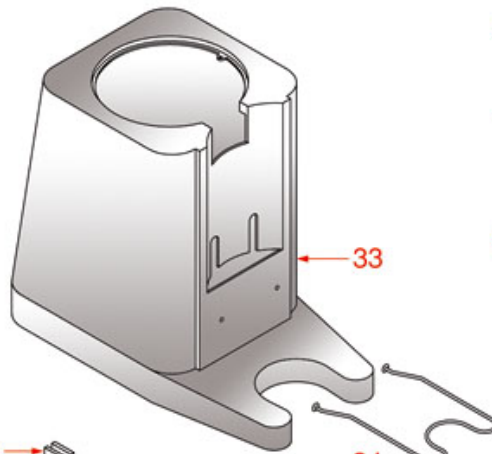
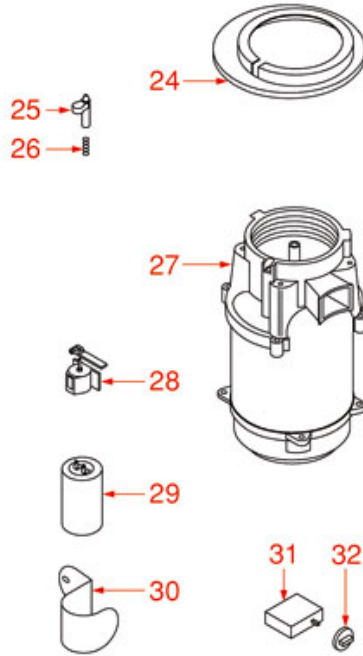
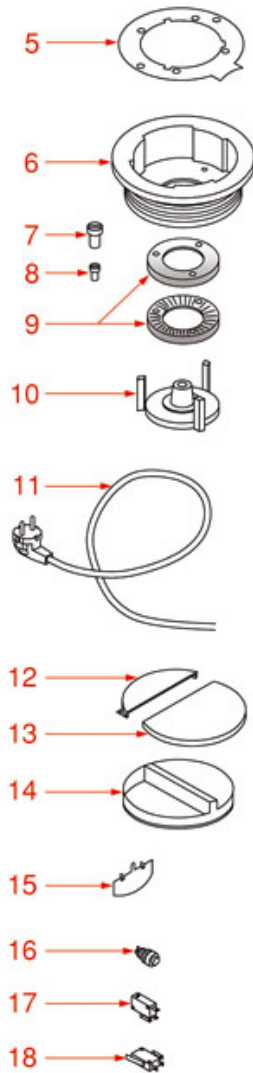
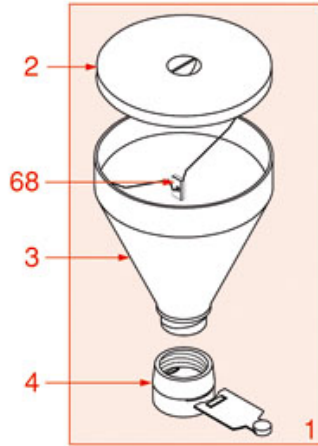
This catalogue is automatically generated.
Therefore, the sequence of the items might
not be always shown at best.
Updates will be issued in case of additions
and/or amendments.
Suitable universal spare parts may not be included





GRINDER ASSEMBLY EMA75

EMA75



ARMC01



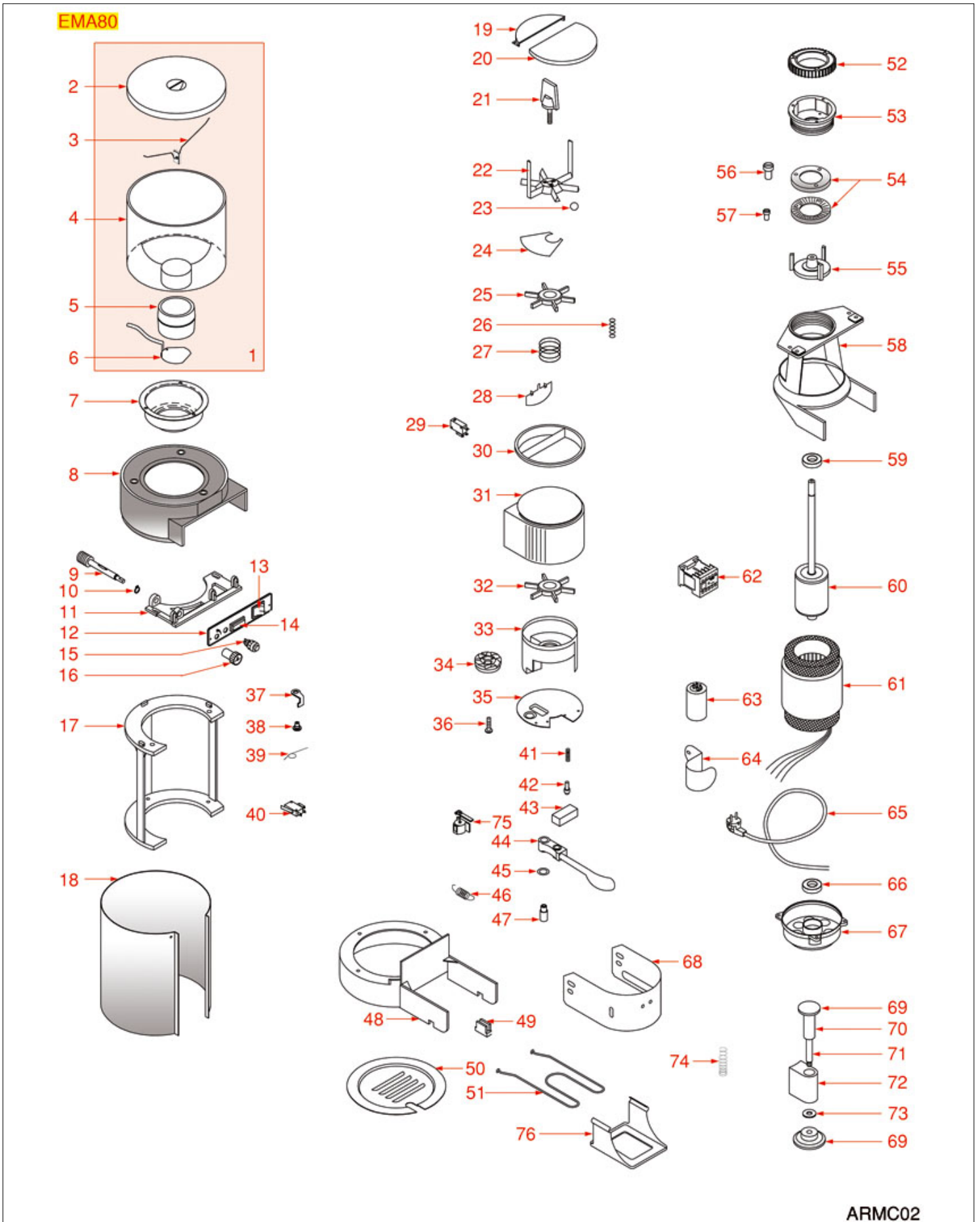
ARISTARCO



Position	LF code no.	Description
1	1080014	COMPLETE COFFEE HOPPER
4	1080014	COMPLETE COFFEE HOPPER
9	1251018	GRINDING BURRS ARISTARCO (PAIR) RIGHT
16	1319163	RED SINGLE POLE PUSH-BUTTON 250V 2A
17	3240123	MICROSWITCH 16A 250V
18	3240123	MICROSWITCH 16A 250V
20	3319012	GREEN BIPOLAR SWITCH 16A 250V
25	1252079	RING-RETAINING PIN
26	1250064	SPRING \varnothing 5x22 mm
29	3068016	CAPACITOR μ F 10 450V 50/60Hz
35	1252078	DOSER LID
36	1252100	DOSER CYLINDER
39	1252085	ADJUSTMENT PIN
44	1250063	STAR SPRING
54	1250067	DOSER LEVER RETURN SPRING



GRINDER ASSEMBLY EMA80



ARMC02

Positions without LF code no.: upon request



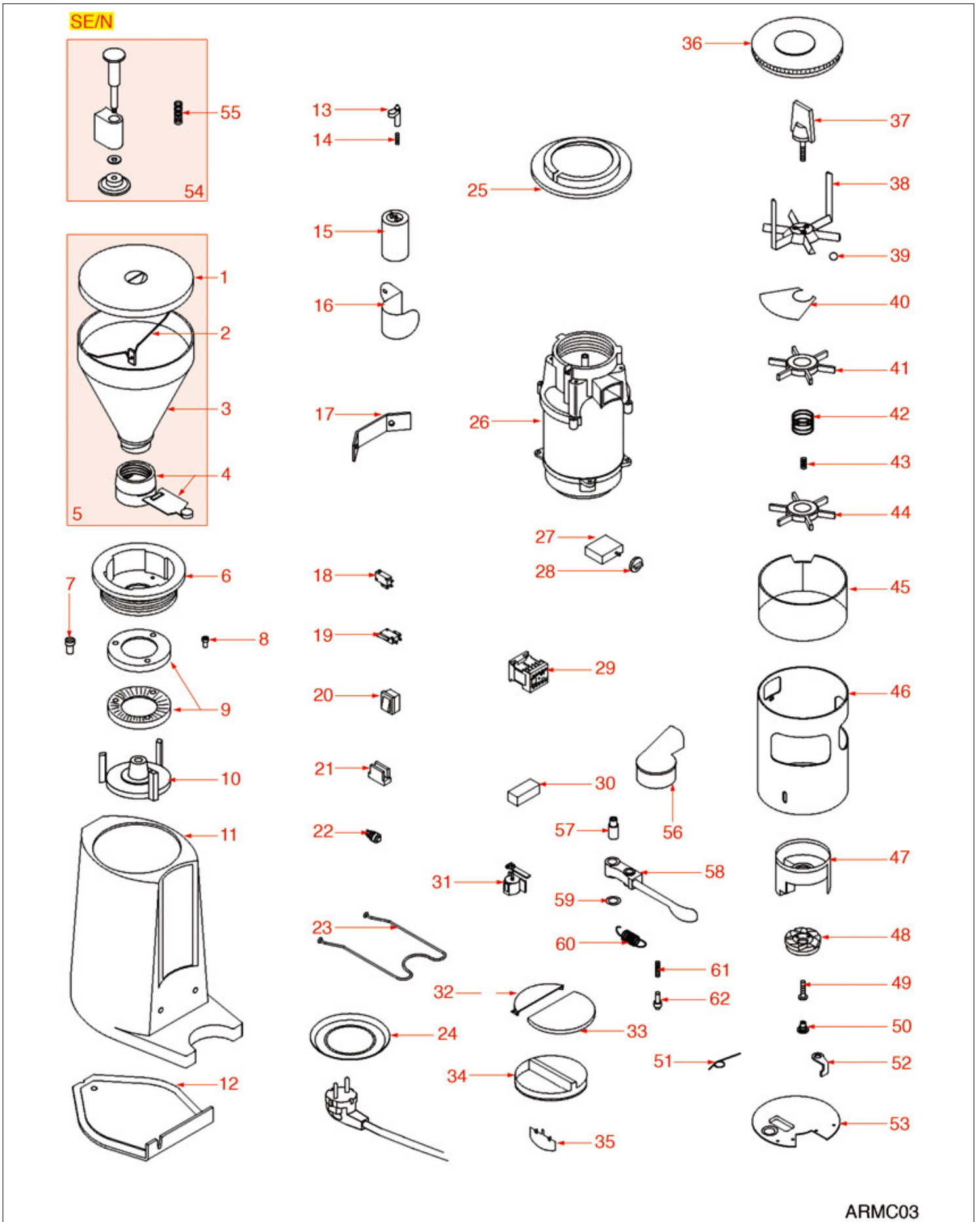
ARISTARCO



Position	LF code no.	Description
1	1080014	COMPLETE COFFEE HOPPER
13	3319012	GREEN BIPOLAR SWITCH 16A 250V
15	1319163	RED SINGLE POLE PUSH-BUTTON 250V 2A
21	1252085	ADJUSTMENT PIN
27	1250063	STAR SPRING
29	3240123	MICROSWITCH 16A 250V
40	3240123	MICROSWITCH 16A 250V
46	1250067	DOSER LEVER RETURN SPRING
54	1251007	GRINDING BURRS ARISTARCO-GAGGIA(PAIR) RH
54	1251014	GRINDING BURRS ARISTARCO-GAGGIA(PAIR) RH
54	1251018	GRINDING BURRS ARISTARCO (PAIR) RIGHT
59	1063911	BEARING 6202 2Z
63	3068016	CAPACITOR μ F 10 450V 50/60Hz
66	1063911	BEARING 6202 2Z



GRINDER ASSEMBLY SE/N



ARMC03

Positions without LF code no.: upon request



ARISTARCO



Position	LF code no.	Description
4	1080014	COMPLETE COFFEE HOPPER
5	1080014	COMPLETE COFFEE HOPPER
9	1251018	GRINDING BURRS ARISTARCO (PAIR) RIGHT
13	1252079	RING-RETAINING PIN
14	1250064	SPRING \varnothing 5x22 mm
15	3068016	CAPACITOR μ F 10 450V 50/60Hz
18	3240123	MICROSWITCH 16A 250V
19	1240016	MICROSWITCH 16A 250V
20	3319012	GREEN BIPOLAR SWITCH 16A 250V
22	1319163	RED SINGLE POLE PUSH-BUTTON 250V 2A
36	1252078	DOSER LID
37	1252085	ADJUSTMENT PIN
42	1250063	STAR SPRING
45	1252100	DOSER CYLINDER
60	1250067	DOSER LEVER RETURN SPRING



Suitable for:

ARISTARCO



Suitable for:

Bearings

1063911 BEARING 6202 2Z

external \varnothing 35 mm-internal \varnothing 15 mm-thickness 11 mm



ARISTARCO 714

Capacitors

3068016 CAPACITOR μ F 10 450V 50/60Hz

operating temperature $-25+85^{\circ}\text{C}$
in compliance with EEC 93/68 and 92/31 regulations



ARISTARCO 166

3068024 CAPACITOR μ F 16 450V 50/60Hz

operating temperature $-25+85^{\circ}\text{C}$
in compliance with EEC 93/68 and 92/31 regulations



ARISTARCO 2036

Containers for coffee

1080014 COMPLETE COFFEE HOPPER

for Grinder-dispenser (ARISTARCO) EMA75 - EMA80
SE/N



ARISTARCO 1316

ARISTARCO 1332

ARISTARCO 728

Dosers for coffee

1252100 DOSER CYLINDER

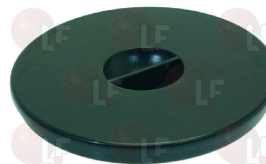
for Grinder-dispenser (ARISTARCO) EMA75 - SE/N



ARISTARCO 719

1252078 DOSER LID

for Grinder-dispenser (ARISTARCO) EMA75 - SE/N



ARISTARCO 718

Feet

- 1313006 FOOT \varnothing 19x10 mm**
 for Grinder-dispenser (CASADIO) THEOCONIC - THEO64
 THEO84
 for Grinder-dispenser (CIMBALI) SPECIAL - 6/S
 6/SNEW
 for Grinder-dispenser (FIORENZATO C.S.) DOGECONICO
 DOGE63 - DOGE83
 for Grinder-dispenser (VIBIEMME) VB63 - VB83



ARISTARCO 1046

Gaskets and seals

- 1186223 O-RING 02056 EPDM**



ARISTARCO 6456

Grinders

- 1251018 GRINDING BURRS ARISTARCO (PAIR) RIGHT**
 external \varnothing 64 mm - internal \varnothing 37 mm
 thickness 8.5 mm - 3 fixing holes
 for Grinder-dispenser (ARISTARCO) EMA75 - EMA80
 SE/N



ARISTARCO 70111

- 1251006 GRINDING BURRS ARISTARCO-GAGGIA(PAIR) RH**
 external \varnothing 58 mm - internal \varnothing 34 mm
 thickness 8 mm - 3 mounting holes



ARISTARCO 70110

- 1251007 GRINDING BURRS ARISTARCO-GAGGIA(PAIR) RH**
 external \varnothing 84 mm - internal \varnothing 45 mm
 thickness 9 mm - 3 mounting holes
 for Grinder-dispenser (ARISTARCO) EMA80
 for Grinder-dispenser (GAGGIA) MD85
 for Grinder-dispenser (SAECO) MS85



ARISTARCO 70113

- 1251014 GRINDING BURRS ARISTARCO-GAGGIA(PAIR) RH**
 external \varnothing 74 mm - internal \varnothing 42.5 mm
 thickness 9 mm - 3 fixing holes
 for Grinder-dispenser (ARISTARCO) EMA80



ARISTARCO 70112



Suitable for:

ARISTARCO



Suitable for:

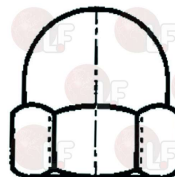
Ironmongery (screws,nuts,washers)

1528009 S/S SCREW T.E.M6x12 mm UNI 5739 DIN24017



ARISTARCO 52

3528143 S/STEEL EXAGONAL BLIND NUT M5-200PCS
NF E 27-453



ARISTARCO 1013

Knobs

1252085 ADJUSTMENT PIN



ARISTARCO 721

Lamps

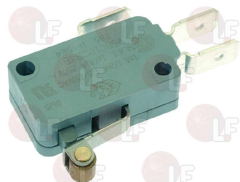
3221042 GREEN INDICATOR LAMP 230V
head ø 20 mm - hole ø 10 mm - 120°C
PVC cables
wires connection length 200 mm



ARISTARCO 1083

Microswitches

1240016 MICROSWITCH 16A 250V
for Grinder-dispenser (ARISTARCO) SE/N



ARISTARCO 925

3240123 MICROSWITCH 16A 250V



ARISTARCO 1689

ARISTARCO 833

Pins

1252079 RING-RETAINING PIN

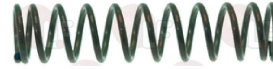


ARISTARCO 708

Springs

1250067 DOSER LEVER RETURN SPRING
for ARISTARCO EMA75-EMA80-SE/N

1250064 SPRING \varnothing 5x22 mm



ARISTARCO 741

ARISTARCO 709

1250063 STAR SPRING
for ARISTARCO EMA75-EMA80-SE/N

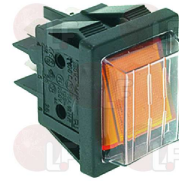


ARISTARCO 733

Switches

3319012 GREEN BIPOLAR SWITCH 16A 250V
with indicator light and switch cover
screen printing 0 - I
max temperature 120°C
mounting hole 22x30 mm

3319088 ORANGE BIPOLAR SWITCH 250V 16A
with indicator lamp and push-button cover
temperature max 120°C
mounting hole 22x30 mm
for Grinder-dispenser (SANTOS) 60



ARISTARCO 2496

ARISTARCO 364

ARISTARCO 1146

1319163 RED SINGLE POLE PUSH-BUTTON 250V 2A
for Grinder-dispenser (ARISTARCO) EMA75 - EMA80
SE/N



ARISTARCO 809



Suitable for:

ARISTARCO



Suitable for:

Terminal blocks

3247004 3-POLE CERAMIC TERMINAL BLOCK

for cable max 2.5 mm²
operating temperature 300°C
nominal voltage 450V
dimensions 33x18x15 mm



ARISTARCO

3247007 3-POLE CERAMIC TERMINAL BLOCK

for cable max 6 mm²
operating temperature 300°C
nominal voltage 450V
dimensions 38x25x20 mm

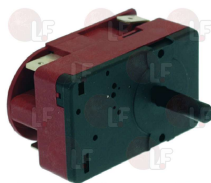


ARISTARCO 120

Timers

3446151 TIMER 5 MINUTES C20

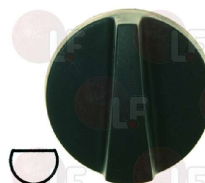
manually set mechanical timer
manually set cycle 5 minutes
2 poles with contact capacity 16(3)A 250V
max temperature 125°C
D-shaped pin \varnothing 6x4.6 mm
for ARISTARCO TOASTER TA2-3
for SANMARCO SM90-SM95
for HUDSON MUSSEL CLEANER PULCO03BN-PULCO03BS
PULCO08
for SIRMAN POTATO PELER PP4EXPOCE-PP8EXPOCE
PP15EXPOCE



ARISTARCO 1089

3241161 BLACK KNOB \varnothing 40 mm

D shaft hole 6x4.6 mm



ARISTARCO 3345

ARISTARCO 621

The data herewith contained may change without notice and LF SpA cannot be held responsible for possible errors stated or resulting by the use of this document. All rights reserved. No part of this publication may be reproduced without written permission by LF SpA.



LF SpA
via Voltri, 80 - 47522 Cesena (FC) ITALIA
Tel. +39 0547 34 11 11 - Fax +39 0547 34 11 10
www.lfricambi724.it - www.lfricambi724.mobi
info@lfricambi.it
Export Dept.: Tel. +39 0547 34 11 50 - Fax: +39 0547 34 11 55
www.lfspareparts724.com - www.lfspareparts724.mobi
export@lfspaceparts.com

FRANCE



EPGC Sas
13, Rue des Forts - 59960 Neuville en Ferrain
Tél. +33 (0)3 20 25 06 21
Fax +33 (0)3 20 25 34 12
www.epgc.com
www.epgc724.mobi
epgc@epgc.com

DEUTSCHLAND



LF GmbH
Junkersstrasse, 1 - D-82178 Puchheim - München
Tel. +49 89 89 45 78 66
Fax +49 89 89 45 78 88
www.lfersatzteile724.de
www.lfersatzteile724.mobi
info@lfersatzteile.de

SCHWEIZ



LF GmbH Verkaufsbüro
Sennweidstrasse, 45 - CH-6312 Steinhausen
Tel. +41 (0)41 760 15 80-1
Fax +41 (0)41 760 15 85
www.lfersatzteile724.ch
www.lfersatzteile724.mobi
info@lfersatzteile.ch

ESPAÑA



LF Repuestos Horeca S.L.U.
Calle Ciudad Real, 10 - 45517 Escalonilla - Toledo
Tif. +34 91 477 91 00
Fax +34 91 477 90 81
www.lfrepuestos724.es
www.lfrepuestos724.mobi
info@lfrepuestos.es

UNITED KINGDOM



LF Spare Parts Ltd.
A10a Lakeside Business Park, Broadway Lane
South Cerney, Gloucestershire GL7 5XL
Tel. +44 (0)1285 86 16 25
Fax +44 (0)1285 86 39 49
www.lfspareparts724.co.uk
www.lfspareparts724.mobi
info@lfspaceparts.co.uk

RUSSIA



OOO LF
ul, Anatoliya Zhivova, 8 - office 1 - 123100 Moscow
Tel. +7 499 259 85 75
Fax +7 495 725 26 53
www.lfspareparts724.ru
www.lfspareparts724.mobi
info@lfspaceparts.ru

CHINA



LF China
Room 102, House 8, Lane 725, Mao Tai Rd.
Changning Dist. - 200336 Shanghai
Tel. +86 (0)21 33 53 66 31
Fax +86 (0)21 33 53 66 32
www.lfspareparts724.com
www.lfspareparts724.mobi
china@lfspaceparts.com